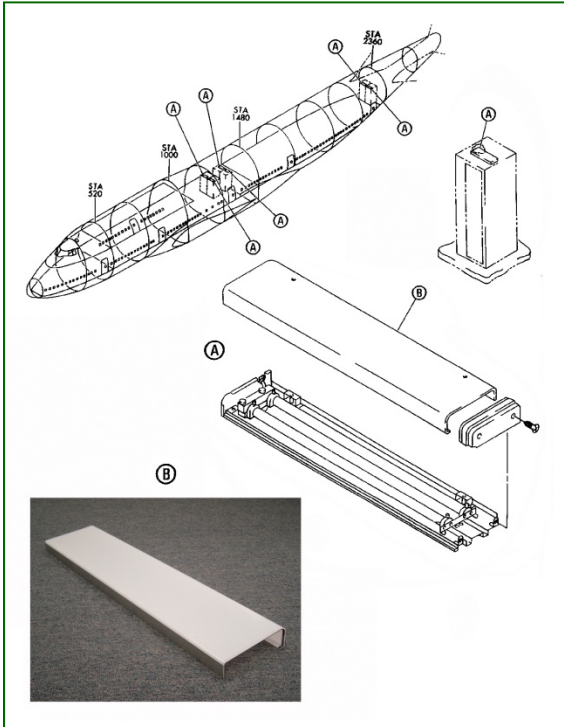


AAXICO

PMA PRODUCT RELEASE



**AAXICO Technical Services (ATS)
is pleased to announce PMA on
the following Part Number:**

Part Name	ATS PMA P/N	OEM P/N	OEM	Eligibility
Lavatory Lens Assembly	B0042762-21ATS	B0042762-21	Jamco Corporation	B747-400

The Lavatory Lens Assembly covers and protects the lavatory light which provides illumination in the lavatory of the aircraft. The lens also diffuses the light intensity and enhances light distribution. The lens is made of a translucent polycarbonate extrusion with a soft white color. The back plate is a strip of aluminum that blocks the light source from reflecting off of the adjacent wall panel or mirror in the lavatory. The Lavatory Lens Assembly is secured to the lavatory light enclosure by two manually operated cam lock fasteners.

Advantages of Product Improvement: The material has been improved to enhance UV resistance and reduce material degradation without affecting the form, fit or function. Offers a substantial cost savings over the OEM part without affecting the original form, fit or function. Please contact any AAXICO office listed below for pricing or payback analysis.



www.aaxico.com * sales@aaxico.com