

AAXICO TECHNICAL SERVICES PRODUCT RELEASE



AAXICO Technical Services (ATS) is pleased to announce PMA on the following part number which is a product improvement:

Description	Boeing P/N	Grimes P/N	Approved Replacement PMA P/N	Eligibility
LED Reading Light	S470W350-3	10-1527-3	81000-57701ATS	B777
LED Reading Light	S479W350-4	10-1527-4	81000-57702ATS	B777

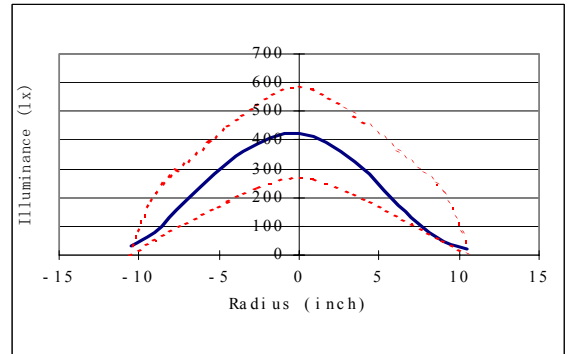
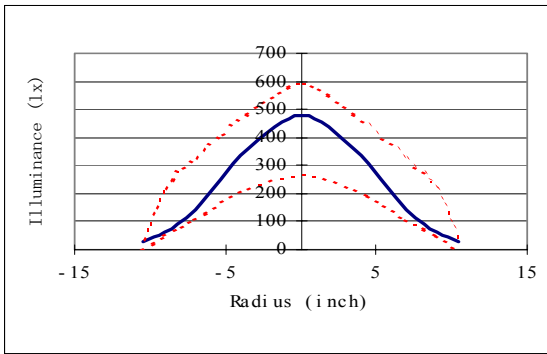
Advantages of Product Improvement: Long Life; High Reliability; Low Power Consumption; Compatible with Halogen Type Reading Light; Saves maintenance costs for airlines.

Contact any AAXICO office listed below for pricing:

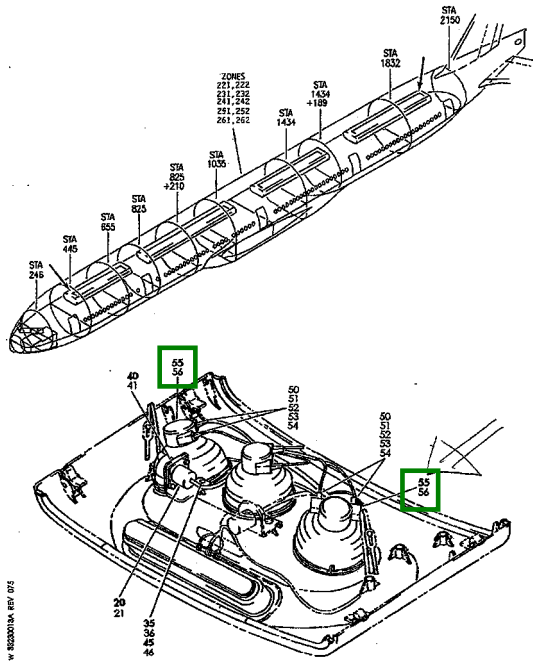


Corporate Headquarters * Miami, Florida * Tel: +1-305-592-4633 * Fax: +1-305-592-6828 * SITA: MIAXSD
 European Office * Hampshire, England * Tel: +44 (0)1730 268641 * Fax: +44 (0)1730 268701 * SITA: LGWXSXD
 Southern Africa Office * Johannesburg * Tel: +27 11 9786440 * Fax: +27 11 9786374
 Asia-Pacific Office * Singapore * Tel: +65 64835003 * Fax: +65 64835002 * SITA: SINSXSD
 China Office * Beijing * Tel: +86-10-64382701 * Fax: +86-10-64382725
www.aaxico.com * sales@aaxico.com

Technical Data

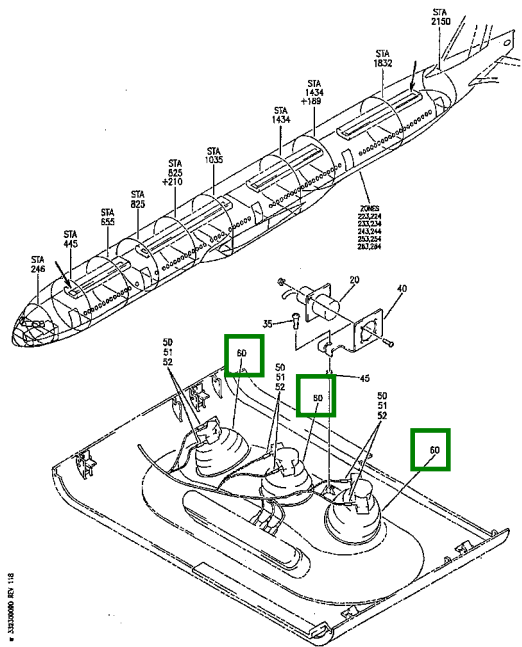


LED READING LIGHT	HALOGEN READING LIGHT
81000-57701ATS	S470W350-3 (Grimes-10-1527-3)
81000-57702ATS	S479W350-4 (Grimes-10-1527-4)
Light Source: White LED	Light Source: Halogen Lamp (2059)
Input Voltage 11.4VAC 400 Hz	Input Voltage 11.4VAC 400 Hz
Power: >7W	Power: 10W
Consumption: 30,000 h.	Consumption: 4,000 h
CRI: 70	CRI: 99
Color Temp. 5,500K	Color Temp. 3,000K



LIGHT ASSY-PASS. SVCE UNIT READING 3 LT NO SMOKING FASTEN SEAT BELT SIGN (READING LIGHTS ONLY)
FIGURE 13A

FEB 5/00 **33-23-00-13A** 33-23-00-13A PAGE 0
BOEING PROPRIETARY, CONFIDENTIAL, AND/OR TRADE SECRET. COPYRIGHT © The Boeing Company Unpublished Work - All Rights Reserved



LIGHT ASSY-PASS. SVCE UNIT READING 3 LT NO SMOKING FASTEN SEAT BELT SIGN (READING LIGHTS ONLY)
FIGURE 9D

SEP 5/03 **33-23-00-09D** 33-23-00-09D PAGE 0
BOEING PROPRIETARY, CONFIDENTIAL, AND/OR TRADE SECRET. COPYRIGHT © The Boeing Company Unpublished Work - All Rights Reserved

FIG ITEM	PART NUMBER	1234567	NOMENCLATURE	EFFECT FROM TO	UNITS PER ASSY
56	10-1527-3		.LIGHT ASSY-READING SUPPLIER CODE: V72914 SPECIFICATION NUMBER: S479M350-3 ELECTRICAL EQUIP NUMBER: L00001 L00002 L00003 COMPONENT MAINT MANUAL REF: 33-20-66 POST SERVICE BULLETIN: 25-0060 25-0062 25-0061 25-0065 25-0065 FOR DETAILS SEE: 33-23-00-51	703703	3
56	10-1527-3		.LIGHT ASSY-READING SUPPLIER CODE: V72914 SPECIFICATION NUMBER: S479M350-3 ELECTRICAL EQUIP NUMBER: L00001 L00002 L00003 COMPONENT MAINT MANUAL REF: 33-20-66 POST SERVICE BULLETIN: 25-0060 25-0065 25-0065 FOR DETAILS SEE: 33-23-00-51	703703	3

MISSING ITEM NO. NOT APPLICABLE
--ITEM NOT ILLUSTRATED
NHA **33-23-00-13A** 33-23-00 FIG. 13A PAGE 14 MAY 5/03

FIG ITEM	PART NUMBER	1234567	NOMENCLATURE	EFFECT FROM TO	UNITS PER ASSY
60	10-1527-4		.LIGHT ASSY-READING SUPPLIER CODE: V72914 SPECIFICATION NUMBER: S479M350-4 ELECTRICAL EQUIP NUMBER: L00001 L00002 L00003 WIRING DIAGRAM REF: 212911 261412 COMPONENT MAINT MANUAL REF: 33-20-66 FOR DETAILS SEE: 33-23-00-51A	751755	3

MISSING ITEM NO. NOT APPLICABLE
--ITEM NOT ILLUSTRATED
NHA **33-23-00-09D** 33-23-00 FIG. 9D PAGE 2 SEP 5/03

PARTS MANUFACTURER APPROVAL NO. PQ1565CE
 PRODUCTION APPROVAL LISTING-SUPPLEMENT NO. #43
 DATE: July 27, 2004

FEDERAL AVIATION ADMINISTRATION-PARTS MANUFACTURER APPROVAL

AAXICO Technical Services
 8881 NW 13 Terrace
 Miami, Florida 33172
 (305) 592-4633

<u>Part Name</u>	<u>Part Number</u>	<u>Approved Replacement For</u>	<u>FAA Approval Basis and Approved Design Data</u>	<u>Installation Eligibility: Make</u>	<u>Installation Eligibility: Model</u>
Reading Light	81000-57701ATS	Boeing P/N: S479W350-3	Test and Computation per 14 CFR Part 21, section 21.303©(4) FAA Design Data Approval per FAA letter dtd 7/9/04, Dwg No.81000-577XXATS, Rev C, dtd 6/22/04 or later FAA approved revision.	Boeing	B777-200
Reading Light	81000-57702ATS	Boeing P/N: S479W350-4	Test and Computation per 14 CFR Part 21, section 21.303©(4) FAA Design Data Approval per FAA letter dtd 7/9/04, Dwg No. 81000-577XXATS, Rev C dtd 6/22/04 or later FAA approved revision.	Boeing	B777-200

----- End of Listing -----

Note: Minor design changes (reference 14 CFR part 21 sections 21.93 and 21.95) must be submitted in a manner as determined by the ACO. Major design changes (reference 14 CFR part 21 sections 21.93 and 21.97) to drawings and specifications are to be handled in the same manner as that for an original FAA-PMA.

Richard R. Piper
 Mack Riley
 Manager, Orlando MIDO