

AAXICO TECHNICAL SERVICES PRODUCT RELEASE



**AAXICO Technical Services (ATS) is pleased to announce PMA
on the following Part Number:**

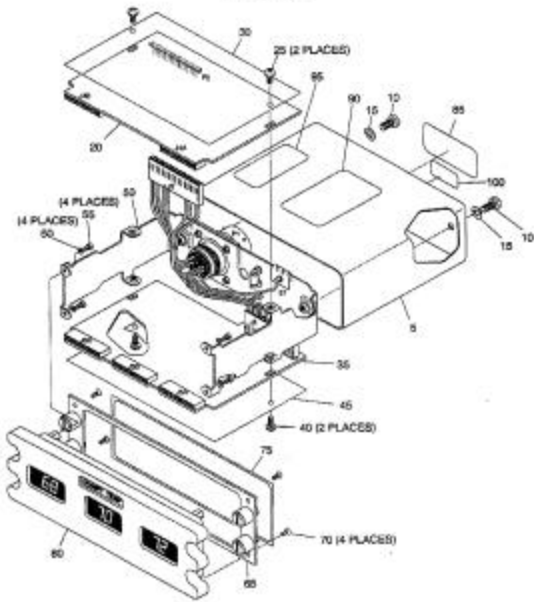
OEM	End Item P/N	Description	OEM P/N	Approved Replacement PMA P/N	Eligibility
Smith Industries	2263-010-1	LCD	71229-0001	71229-0001ATS	B757 B767-200 B767-300 B767-400

Advantages of Product Improvement: Identical to OEM. Price Advantage over OEM product. Immediate availability of inventory through AAXICO.

Contact any AAXICO office listed below for pricing or payback analysis.



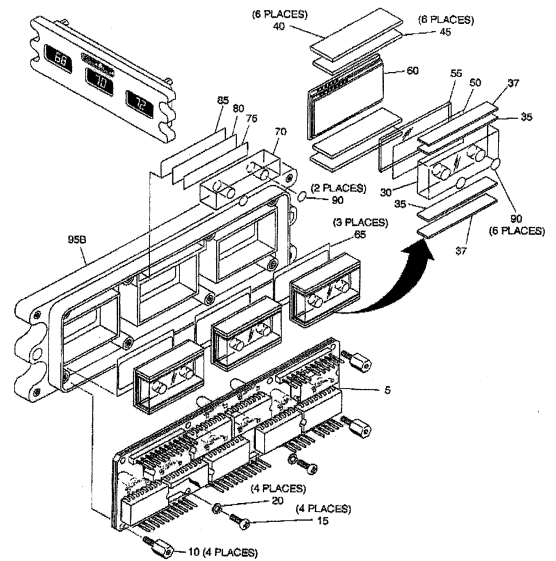
Corporate Headquarters * Miami, Florida * Tel: +1-305-592-4633 * Fax: +1-305-592-6828 * SITA: MIAXSXD
 European Office * Hampshire, England * Tel: +44 (0)1730 268641 * Fax: +44 (0)1730 268701 * SITA: LGWXSXD
 Southern Africa Office * Johannesburg * Tel: +27 11 9786440 * Fax: +27 11 9786374
 Asia-Pacific Office * Singapore * Tel: +65 64835003 * Fax: +65 64835002 * SITA: SINSXSD
 China Office * Beijing * Tel: +86-10-64382701 * Fax: +86-10-64382725
www.aaxico.com * sales@aaxico.com



IPL FIGURE 1. COMPARTMENT TEMPERATURE INDICATOR, P/N 2263-XX-X.

21-61-02

PAGE 1090
MAR 13, 2001



JPL FIGURE 6. DISPLAY BEZEL ASSEMBLY, P/N 100510-XX-XX.

21-61-02

PAGE 1090
MAR 13, 2001

FIG./ITEM NO.	PART NUMBER	AIRLINE PART NO.	NOMENCLATURE						EFF CODE	UNITS PER ASSY
			1	2	3	4	5	6		
I-										
-1	2263-01-1									RF
5	200830-001							P		1
10	900073-312							P		2
15	MS35335-59							P		2
20	100514-01-01							P		1
-20A	100514-01-02							P		1
-20B	100514-01-03							P		1

21-61-02

PAGE 1031
JUL 15, 1996

FIG./ITEM NO.	PART NUMBER	AIRLINE PART NO.	NOMENCLATURE						EFF ASSY	UNITS PER
			1	2	3	4	5	6		
6-										
-5B	100311-01-03							P		1
10	501517-001							P		4
15	MS1957-3							P		4
20	MS35338-134							P		4
-25	902010-005							P	A	8
30	200829-001							P		3
35	501539-001							P		6
37	501529-013							P	C	6
40	726051-004							P	A	6
-40A	726051-025							P	B, C	6
45	726051-003							P	A	6
-45A	726051-024							P	B, C	6
50	501529-001							P		3
35	501465-001							P		3
60	71229-0001							P		3
65	501490-001							P		3
70	200828-001							P	A, B	1

21-61-02

PAGE 1092
MAR 15, 2001

PARTS MANUFACTURER APPROVAL NO. PQ1565CE
 PRODUCTION APPROVAL LISTING-SUPPLEMENT NO. #37
 DATE: January 20, 2004

FEDERAL AVIATION ADMINISTRATION-PARTS MANUFACTURER APPROVAL

AAXICO Technical Services
 8881 NW 13 Terrace
 Miami, Florida 33172
 (305) 592-4633

<u>Part Name</u>	<u>Part Number</u>	<u>Approved Replacement For</u>	<u>FAA Approval Basis and Approved Design Data</u>	<u>Installation Eligibility: Make</u>	<u>Installation Eligibility: Model</u>
LCD	245-0025ATS	Gables Engineering P/N 245-0025	Identicality Per 14 CFR Part 21, Section 21.303(c)(4) FAA Design Data Approval per FAA 8110-3 dated 1/15/04, Dwg No. 245-0025ATS, Rev: N/C, Date: 01/15/04 or later FAA approved revision	McDonnell Douglas	MD88 MD90
LCD	245-0033ATS	Gables Engineering P/N 245-0033	Identicality Per 14 CFR Part 21, Section 21.303(c)(4) FAA Design Data Approval per FAA 8110-3 dated 1/15/04, Dwg No. 245-0033ATS, Rev: N/C, Date: 01/15/04 or later FAA approved revision	BOEING	757 767-200 767-300
LCD	71229-0001ATS	Smith Industries P/N 71229-0001	Identicality Per CFR 14 Part 21, Section 21.303(c)(4) FAA Design Data Approval per FAA 8110-3 dated 1/15/04, Dwg No. 71229-0001ATS, Rev: N/C, Date: 01/15/04 or later FAA approved revision	BOEING	757 767-200 767-300 767-400
Bolt-Slabbd Head	9234M17P05ATS	9234M17P05	Test and Computation Per 14 CFR Part 21, section 21.303(c)(4) FAA Design Data Approval Per FAA Letter Dated 01/15/04, Drawing No. 9234M17P05ATS, Rev. 2 dated 12/01/03 or later FAA approved revision	General Electric	CF6-80C2

-----End of Listing-----

Note: Minor design changes (reference 14 CFR part 21.93 and 21.95) must be submitted in a manner as determined by the ACO. Major design changes (reference 14 CFR part 21.93 and 21.97) to drawings and specification are to be handled in the same manner as that for an original FAA-PMA.

Richard R. Rippe
 for Mack Riley
 Manager, Orlando MIDO

